



**LOGLIFT**

# LOGLIFT 251S



PRODUCT BROCHURE



## **PERFECT FOR LONG DAYS AND LOGS**

Handling heavy loads is one thing, handling heavy and long loads is a real challenge. With LOGLIFT 251S you are perfectly equipped for the task.

The power-to-weight ratio of the LOGLIFT 251S is in a class of its own. A light and durable structure makes larger payloads and more efficient load cycles possible. The safe control position with

its adjustable high seat and ergonomically designed controls guarantee a comfortable working day. The LOGLIFT 251S even is available with the latest HiVision system allowing you to work safely and comfortably from the truck cabin. Together, the components of the LOGLIFT 251S increase reliability and efficiency. LOGLIFT 251S has a track record of extraordinary long service life which keeps the lifetime costs to a minimum.

# LIGHT AND DURABLE FOR EXCELLENT PERFORMANCE

Our forestry cranes have always delivered exceptional performance and rugged durability with low lifetime costs. The LOGLIFT 251S is no exception. Discover why this crane is the perfect choice for you.

## Oil filled base

Keeping the slewing mechanism immersed in oil is a prerequisite in the heavy-duty type of work that our cranes perform. The oil bath provides smooth and precise slewing and reduces wear on the mechanism, keeping repair and service costs to a minimum.



## Next generation forest people

HiVision™ is a new way of operating forestry cranes, using camera-based 3D vision technology. Work efficiently, increase payload and save fuel. With the camera-based 3D you operate your crane as you've always done, using the controls you've grown accustomed to over the years. The only difference is that you see the work area in special 3D goggle.

- Stay in the comfort of your truck cabin
- Be safe and work with optimal ergonomics
- Save weight and fuel
- Be more efficient when gaining payload



**HIVISION**™

## Optimal weight capacity ratio

Get the most of your investment. With the optimized weight/capacity ratio the JONSERED F251S can even be fitted to smaller trucks.



## HPL™ (Hose Protection Link) to guard against blows and sticking

Protecting hoses on any crane is important, but especially in the harsh environment of log handling. Hose Protection Link (HPL) gives extra protection — from crane tip to rotator — against accidental impacts. The system includes the rotator and hanger to provide a complete and integrated solution.

- Robust link with a 40 mm upper pin
- Generous bearing dimensions for minimum wear
- Cleverly designed plug-in fittings
- Easy access for tightening, service and maintenance
- Quick-change hoses



## nDurance™

### nano-technology paint process for all-weather protection

Rain, dust, sand and sunlight are unforgiving forces that wear on a crane all year around. This is why we have created nDurance — a technologically advanced and environmentally sound pre-treatment and paint process, based on nano-technology combined with state-of-the-art e-coating and powder painting.

- Nano-technology covers every square millimetre
- Three different protective layers for highest corrosion resistance
- 100 % phosphate free
- No heavy metals and virtually zero waste

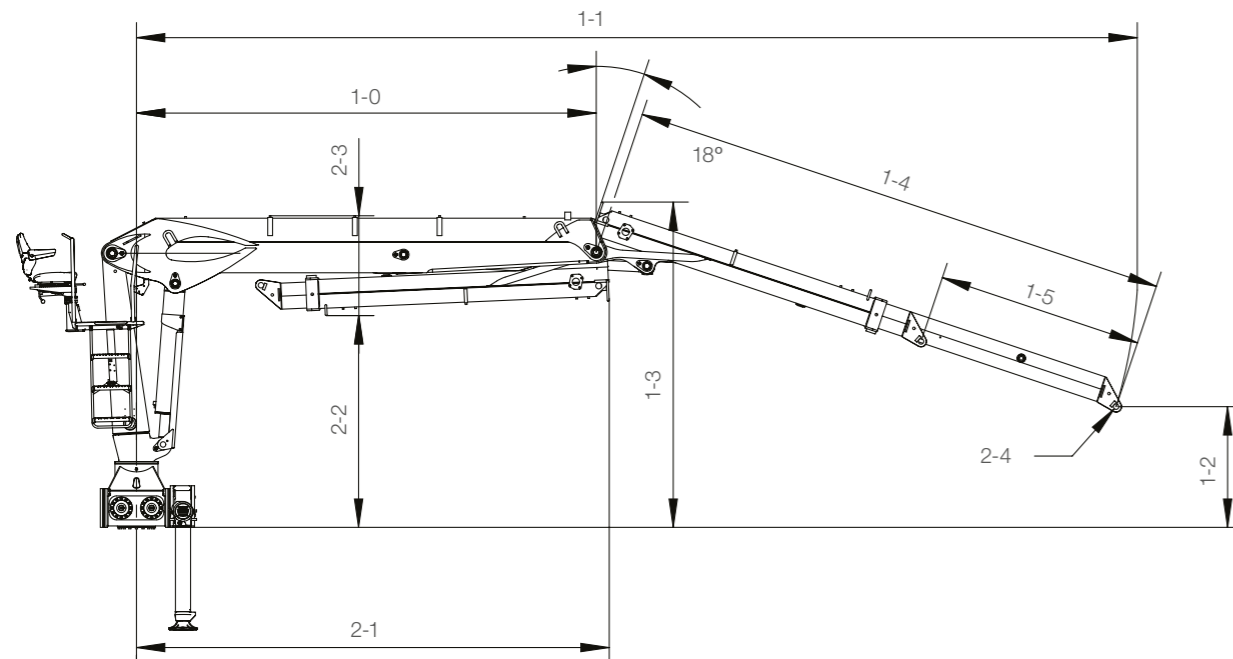
# LOGLIFT 251S BASIC DATA

Technical data	F251S 79C	F251S 80A	F251S 82A	F251S 84A	F251S 84C	F251S 88C	F251S 89A	F251S 95C	F251S 96D	F251S 100C	F251S 101D
Max. lifting capacity (kNm)	225	230	228	228	222	220	225	210	210	206	206
Hydraulic outreach* (m)	7.94	8.00	8.20	8.40	8.45	8.84	8.90	9.50	9.62	10.00	10.12
Number of extensions	1	1	1	1	1	1	1	2	2	2	2
Outreach - lifting capacity, standard (m - kg)	4.0 - 5600 5.0 - 4500 6.0 - 3750 7.0 - 3200	4.0 - 5700 5.0 - 4600 6.0 - 3800 7.0 - 3250	4.0 - 5700 5.0 - 4550 6.0 - 3800 7.0 - 3250	4.0 - 5600 5.0 - 4550 6.0 - 3800 7.0 - 3250 8.0 - 2500	4.0 - 5500 5.0 - 4450 6.0 - 3700 7.0 - 3150 8.0 - 2750	4.0 - 5500 5.0 - 4400 6.0 - 3650 7.0 - 3100 8.0 - 2700	4.0 - 5600 5.0 - 4500 6.0 - 3750 7.0 - 3200 8.0 - 2800 8.5 - 2450	4.0 - 4900 5.0 - 4150 6.0 - 3500 7.0 - 3000 8.0 - 2600 9.0 - 1900	4.0 - 4900 5.0 - 4150 6.0 - 3500 7.0 - 3000 8.0 - 2600 9.0 - 2300	4.0 - 4700 5.0 - 4100 6.0 - 3450 7.0 - 2950 8.0 - 2550 9.0 - 2260 9.5 - 1840	4.0 - 4750 5.0 - 4100 6.0 - 3450 7.0 - 2950 8.0 - 2550 9.0 - 2260 9.5 - 2140
Slewing system	Double										
Slewing angle (°)	415										
Slewing torque, gross (kNm)	42										
Max. slope viable at full capacity (°)	8										
Max. working pressure (MPa)	26										
Recommended oil flow – fixed pump (l/min), 1-pump	80										
Recommended oil flow – fixed pump (l/min), 2-pump	2 x 80										
Min. recommended oil flow – variable displacement pump (l/min)	175										
Weight - High seat crane with standard stabilizer equipment (kg)*	2690	2600	2610	2630	2730	2740	2670	2920	2930	2950	2960
Weight - HiVision crane with standard stabilizer equipment (kg) **	2820	2730	2740	2760	2860	2870	2800	3050	3060	3080	3090

\* Weight with fixed pump system. Oil weight included.  
 \*\* Weight with variable pump system, oil weight included

This table shows a few examples of models, and represents some of all options available. With the opportunity to configure your crane, we can provide you with a crane perfectly tailored to your needs. Please contact your local dealer for more information on the variety of options we can offer.

## Side view



Model	1-0	1-1 min	1-1 max	1-2	1-3	1-4	1-5	2-1	2-2	2-3	2-4
79C	3800	6330	7945	1095	2690	4230	1650	3900	1770	82S	040, 8=184
80A	3800	6330	8000	1090	2690	4280	1700	3905	1765	830	045, 8=80
82A	3800	6530	8200	1005	2690	4480	1700	3905	1765	830	04S, 8=80
82B	3800	6445	8145	2070	2645	4345	1700	3925	1215	1380	040, 8=184
84A	3800	6730	8400	935	2690	4690	1700	3905	1755	840	04S, 8=80
84C	4300	6830	8450	1095	2690	4230	1650	4400	1765	830	040, 8=184
88C	4300	7220	8840	965	2690	4630	1650	4400	1765	830	040, 8=184
89A	4300	7230	8900	935	2690	4690	1700	4405	1745	8S0	04S, 8=80
95C	3800	6550	9500	645	2705	5800	3000	3905	1735	860	040, 8=184
96D	3800	6625	9625	2145	2705	5825	3000	3875	1110	1485	040, 8=184
100C	4300	7050	10000	645	2705	5800	3000	4405	1735	860	040, 8=184
101D	4300f	7125	10125	2145	2705	5825	3000	4375	1110	1485	040, 8=184

For more information,  
 please visit us at [www.hiab.com](http://www.hiab.com)



# BUILT TO PERFORM

Hiab is the world's leading provider of on-road load handling equipment. Customer satisfaction is the first priority for us. Hiab's product range includes HIAB loader cranes, JONSERED recycling and forestry cranes, LOGLIFT forestry cranes, MOFFETT truck mounted forklifts and MULTILIFT demountables, as well as DEL, WALTCO and ZEPRO tail lifts.

[hiab.com](http://hiab.com)

Hiab is part of Cargotec.

[cargotec.com](http://cargotec.com)



PB-F251S-EN-WW\_180813

To learn more about JONSERED  
visit [jonsered.com](http://jonsered.com)



[hiab.com](http://hiab.com)

