

# MULTILIFT FUTURA 8

**SMALL IN SIZE, BIG ON PERFORMANCE**



# MULTILIFT FUTURA 8 BASIC DATA

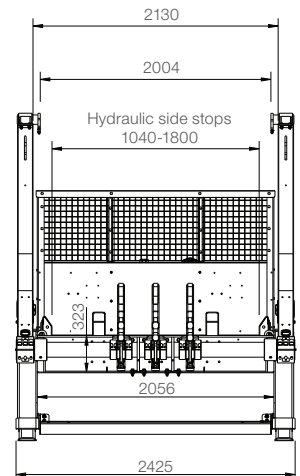
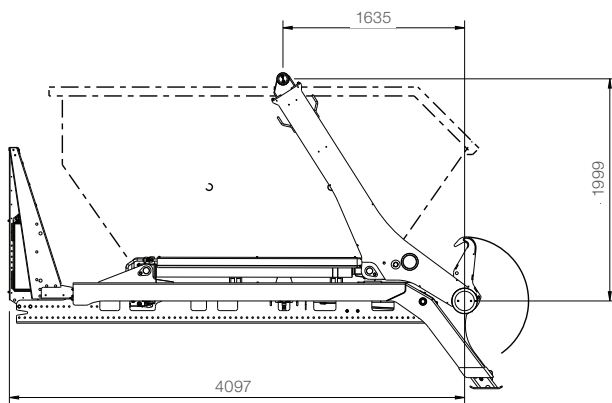
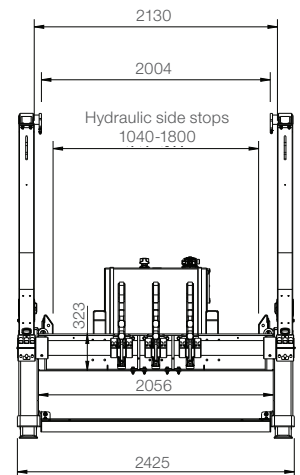
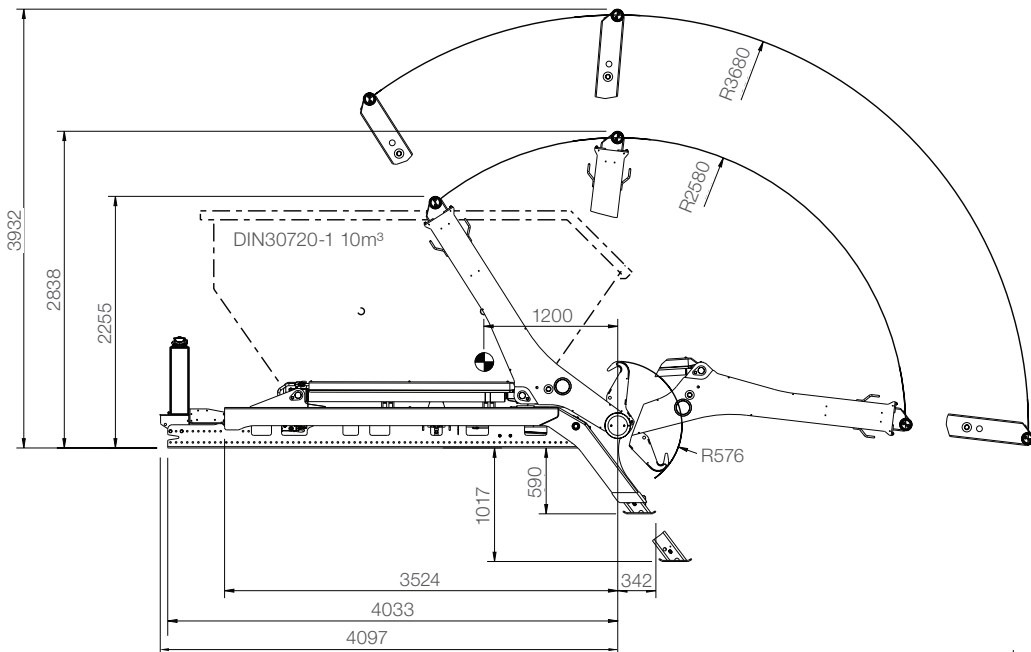
Technical data		FUTURA 8	
Vehicle type	2 axle		
GVW of the vehicle (t)	12 (15)		
Capacity (t)	8		
Equipment length *	38		41
System weight (kg) **	1900		
Max. operating pressure (MPa)	300		
Recommended oil flow (l/min)	55		

\* Equipment length with premounted oil tank

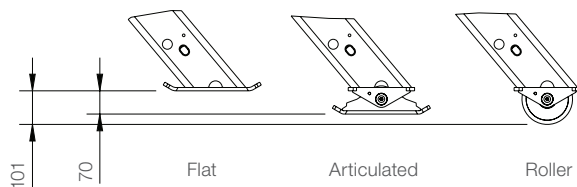
\*\* System weight of basic unit without additional options, cabin guard, extension, oil tank

MULTILIFT equipments meet the demands set forth in the EU Machine Directive and they are CE marked.

We reserve the rights for modifications. Illustrations do not always show an equipment in standard version.



## Different stabilizer legs



# MULTILIFT