



# **HIAB** ix.158 HIDUO

BASIC DATA  
2022.09

# HIAB iX.158 HIDUO

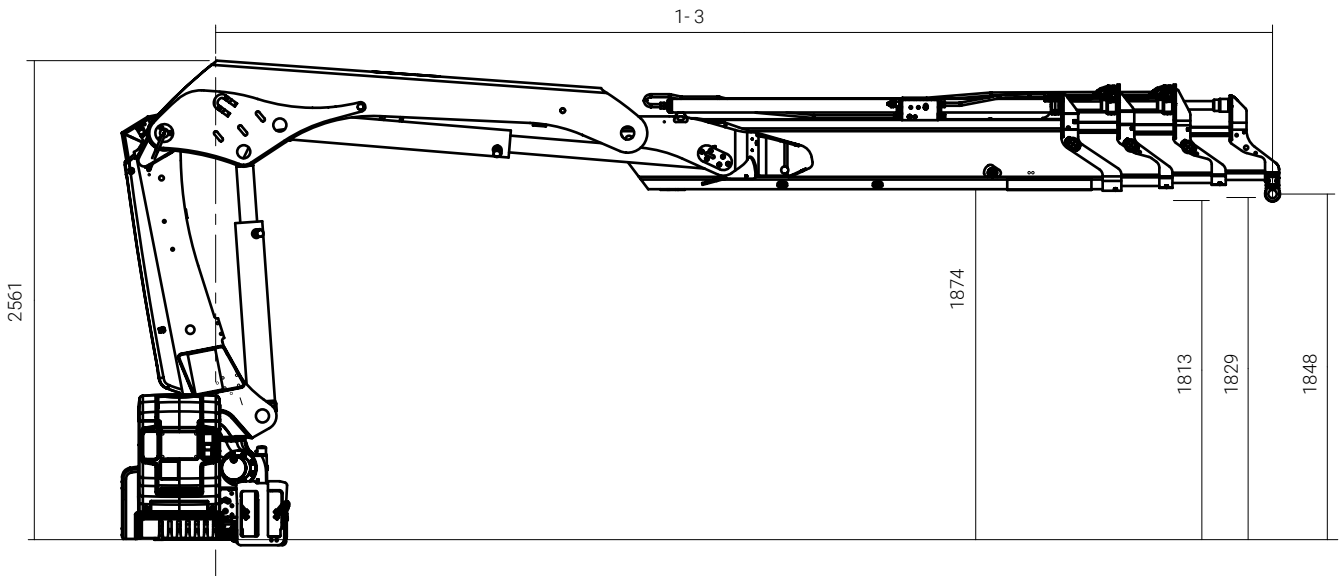
## BASIC DATA

Technical data	HIAB iX.158 HIDUO B-2	HIAB iX.158 HIDUO BS-2	HIAB iX.158 HIDUO BSS-2	HIAB iX.158 HIDUO B-3
Mdyn (kNm)	184	184	181	185
Max. lifting capacity (kNm)	151	151.1	152.9	147
Lifting capacity (tm)	15.4	15.4	15.6	15.0
Outreach – lifting capacity, standard (m - kg)	8.5 – 1780	8.2 – 1860	7.5 – 2040	10.7 – 1300
Outreach – lifting capacity, manual extensions (m-kg)	10.7 – 1340	10.4 – 1400	–	12.8 – 1020
Hydraulic outreach, standard (m)	8.8	8.5	7.9	11
Outreach, manual extensions (m)	11	10.7	–	13.2
Lifting height above installation level, hydr/man (m)	11.2 / 13.4	10.9 / 13.1	10.3	13.4 / 15.6
Rec. fixed oil flow (l/min)	45 – 55			
Rec. variable oil flow (l/min)	–			
Working pressure (Mpa)	32.1			
Oil in tank (l)	100 – 200			
Oil in Cyclon tank (l)	57			
Tank capacity (l)	116 – 224			
Tank capacity Cyclon (l)	61			
Slewing angle (°)	415			
Max slope viable at full capacity (°)	5.5	5.5	5.6	5.5
Slewing torque, gross (kNm)	21.6			
Slewing speed 80 (°/s)	15			
Slewing speed (°/s)	–			
Lifting speed at standard hydraulic outreach (m/s)	1.4	1.4	1.3	1.8
Height in folded position (mm)	2264			
Width in folded position (mm)	2476	2452	2476	2476
Install space required with hose and pipe kit (mm)	834	834	834	942
Crane in standard version without stabiliser system (kg)	1550	1540	1490	1680
Frame attachments (kg)	26			
Stabiliser system (kg)	216 – 385	216 – 386	216 – 387	216 – 388

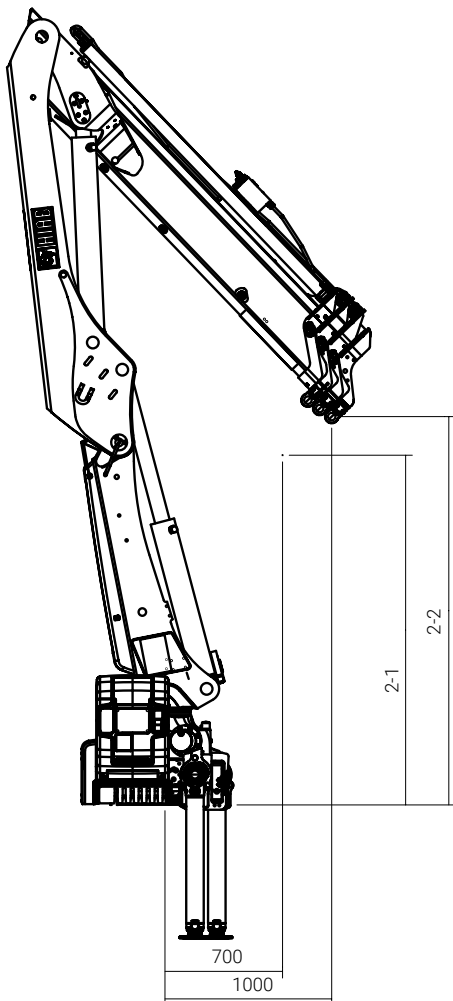
*This table shows a few examples of models, and represents some of all options available. With the opportunity to configure your crane, we can provide you with a crane perfectly tailored to your needs.*

*Please contact your local dealer for more information on the variety of options we can offer.*

# HIAB iX.158 HIDUO

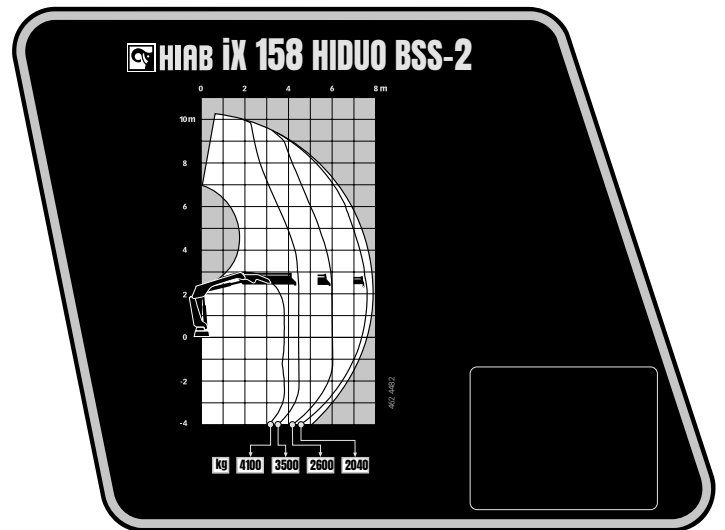
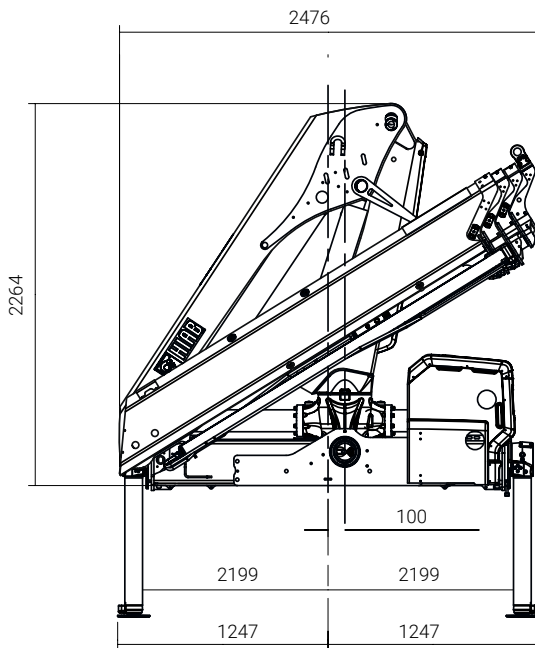


1-3, OUTREACH				
Ext.	Hyd. ext.		+ Man. ext.	
	Min	Max	Min	Max
B-3	5049	10999	5049	10999
B-2	4964	8814	4964	8814
B-1	4879	6779	4879	6779



## Hook position – close

EXTENSION	2-1	2-2
B-3	2129	2329
B-2	2225	2324
B-1	2321	2540



**Disclaimer.** We reserve the right to make changes. Illustrations, drawings and data are not always in accordance with the latest version or standard model in production. The models in the pictures may present special equipment or colours.

BD-HIABI158HIDUO-EN-VWV\_220916

# BUILT TO PERFORM

Hiab is a leading provider of smart and sustainable load handling solutions. We are committed to delivering the best customer experience every day with the most engaged people and partners. Hiab's premium equipment includes HIAB, EFFER and ARGOS loader cranes, MOFFETT and PRINCETON truck mounted forklifts, LOGLIFT forestry cranes, JONSERED recycling cranes, MULTILIFT skiploaders and hooklifts, GALFAB roll-off cable hoists, and tail lifts under the ZEPRO, DEL and WALTCO brands. As the industry pioneer, Hiab continues to make load handling smarter, safer and more sustainable to build a better tomorrow.

Hiab is part of Cargotec Corporation.

[www.hiab.com](http://www.hiab.com)

